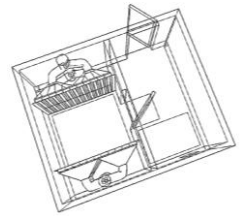




Design, Safety & Business Compliance

5789 Sheridan Blvd, Arvada, CO 80002
(303) 997-6626 Fax (303) 302-1528
Web site: www.THC-Safety.com E-Mail: Info@thc-safety.com



TURN-KEY CANNABIS EXTRACTION ROOM (CER) KIT

Designed to be compliant with all State & Denver Fire Department requirements as well as OSHA, NFPA, IFC and IMC requirements for liquefied petroleum gases and organic solvents.

Nominal Exterior Size:

14' W x 14' L x 8.5' H --196 SF Area

FULLY ENGINEERED, SHIPPED TO YOU WITH ALL NECESSARY COMPONENTS!

Ventilation

Our patent pending ventilation system utilizes a fixed base flow rate that provides a safe working environment. Air flow rates and exhaust hoods have been engineered to provide a sufficient capture velocity for flammable gases and vapors. Multiple designs are available based on jurisdictional requirements and budget.

Construction

The enclosure meets the standards for 1 hour fire resistance. There are two 36" doorways for ingress/egress. Penetrations are readily available for necessary pipes between unclassified areas and the National Electric Code (NEC) Class 1 Division 1 (C1D1) extraction room.

Make Up Air

Tempered, fresh air is constantly provided at a slightly lower flow rate than air is exhausted to create negative pressure within the C1D1 space.

Gas Detection and Alarms

Each extraction room includes a fixed C1D1 LEL (Flammable Gas) Sensor/Transmitter. There are multiple options for sensor location depending on jurisdictional requirements. A control box connects the sensor/transmitter to a C1D1 Horn and Strobe set to alarm at 20% of the Lower Explosive Limit for your desired gas. The alarm system is interlocked with the ventilation system to ensure the ventilation stays on or turns on (if it was off) when the sensor alarms.

Controls

Electronics/Controls are located outside of the C1D1 area, reducing the need for expensive classified wiring!

Lighting

Multiple safe lighting options are available based on your facility configuration and budget.

Code Compliance

Denver Fire Department

Marijuana Extraction Guidelines for Commercial/Licensed Facilities

International Fire Code (IFC) 2015

Section 5700 Process Structures - 5705.3.7.5.1 Ventilation

Section 2703.1 Hazardous Materials - Maximum Allowable Quantities

International Mechanical Code (IMC)

Section 510 - Hazardous Exhaust Systems

National Fire Protection Agency (NFPA)

NFPA 30 - Flammable and Combustible Materials

NFPA 60 - Hazardous Materials

Occupational Safety and Health Administration (OSHA)

OSHA 1910.106 Flammable Liquids - Ventilation

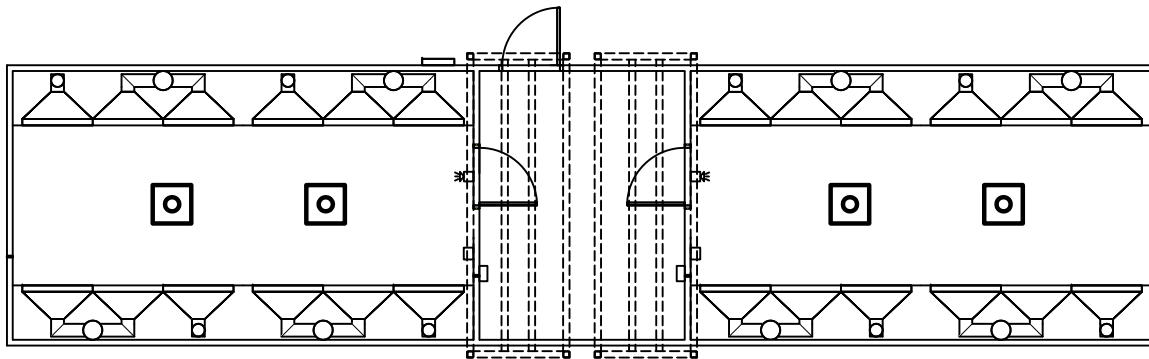
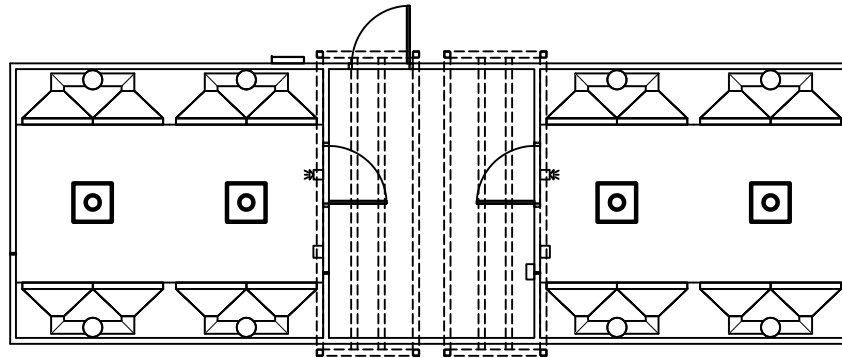
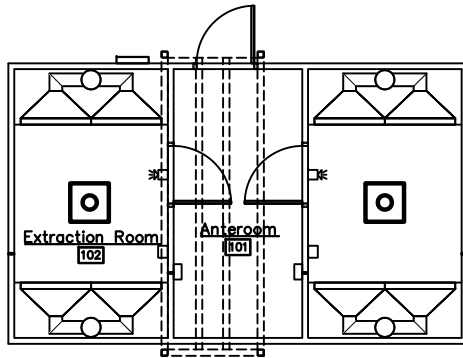
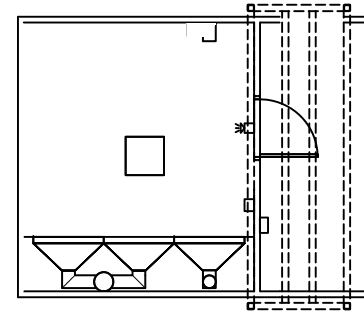
OSHA 1910.307 - Class 1, Division 1 Compliant

OSHA 1910.399 - Class 1, Division 1 Compliant

CONTACT US TODAY FOR A QUOTE - (303) 997-6626 or info@thc-safety.com

THC Safety, Inc. reserves the right to modify the design at any time.

LPG CANNABIS EXTRACTION ROOM (CER) OPTIONS



COMPONENT LIST

- 1 GLAZED PANEL FOR LIGHTING FIXTURE
- 2 EXHAUST REGISTER(S)
- 3 SUPPLY REGISTER(S)
- 4 STROBE
- 5 LOWER EXPLOSIVE LIMIT (LEL) SENSOR
- 6 LEL BOX

SIZING OPTIONS

| ALTERNATE | TOTAL SIZE (LxWxH) | TOTAL SQFT | EXHAUST FAN(S) | MAKE-UP AIR UNIT(S) | ELECTRICAL CLASSIFICATION | C1D1 WORK AREA (LxW) | C1D1 WORK AREA SQFT |
|-----------|--------------------|------------|----------------|---------------------|---------------------------|----------------------|---------------------|
| 1 | 14'x14'x8' | 144 | YES | YES | C1D1 | 8'x14' | 112 |
| 2 | 18'x14'x8' | 252 | YES | YES | C1D1 | 12'x14' | 168 |
| 3 | 24'x14'x8' | 336 | YES | YES | C1D1 | 8'x14' (x2) | 224 |
| 4 | 44'x14'x8' | 616 | YES | YES | C1D1 | 16'x14' (x2) | 448 |
| 5 | 60'x14'x8' | 840 | YES | YES | C1D1 | 24'x14' (x2) | 672 |